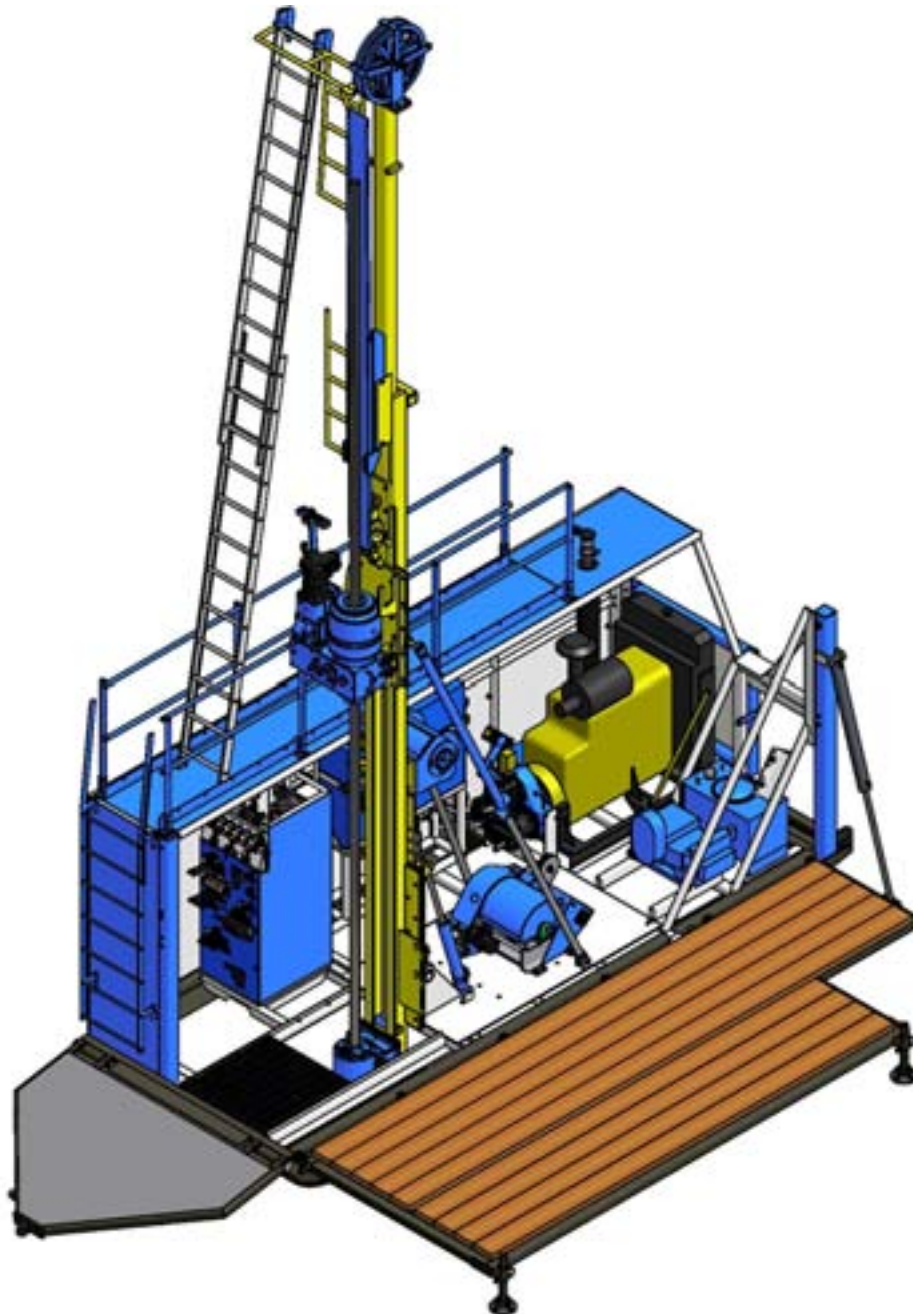


CONTAINER TYPE DRILL RIG

VD3000



**Atelier
Val d'Or inc.**

1096 Rue de l'Écho
Parc Industriel
Val-d'Or (Québec) J9P 6X8

☎ 819-824-3676
☎ 819-824-2891
✉ ateliervd@ateliervd.qc.ca

TECHNICAL SPECIFICATIONS

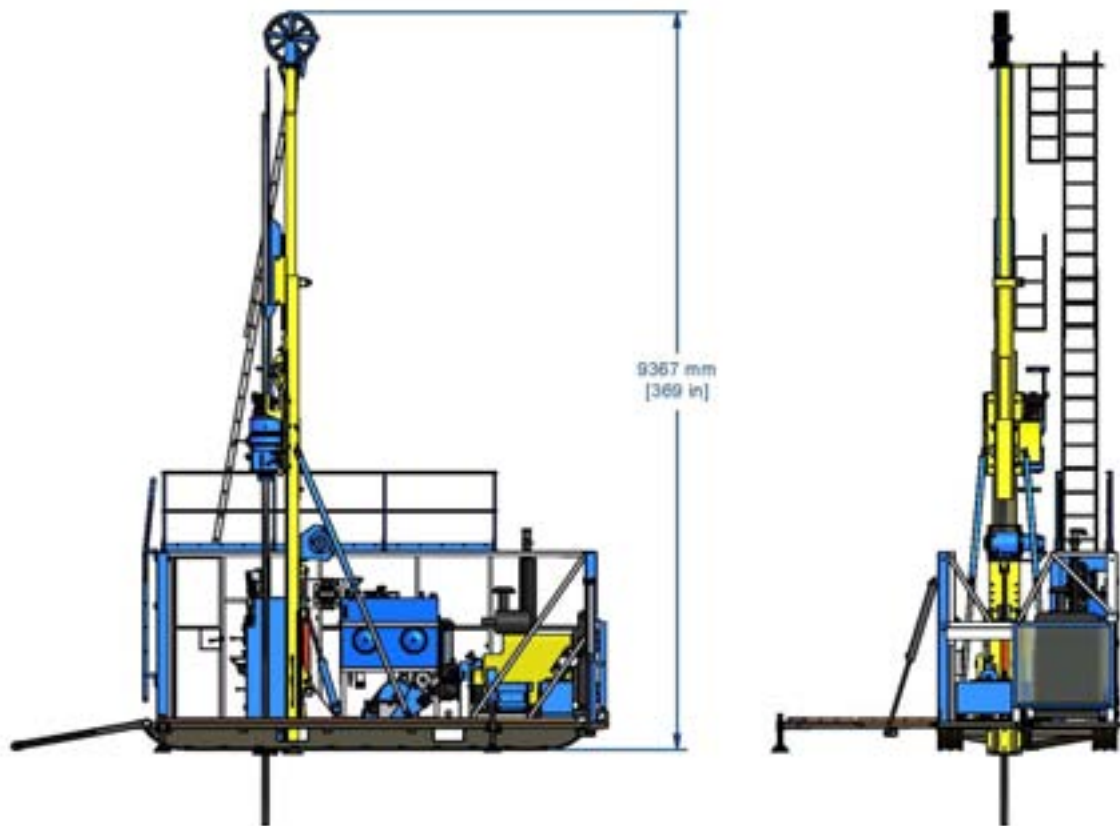
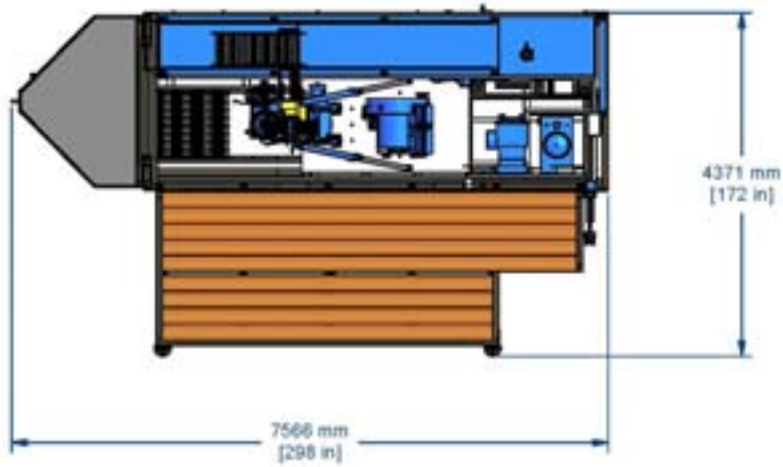
Model	VD3000
Type	Skid mounted, opened shack, all hydraulic chuck drive core drill, specially designed for diamond core drilling up to the rated specifications.
Drill mast	Capacity to drill between 90° and 45°.
Diesel Engine	The most frequently used power units are John Deere 200HP JD6068TF250 with a normal operating speed up to 2,200 RPM (operating RPM can vary depending of pumps configuration/option).
Fuel tank capacity	110 liters (29 US gal.)
Pump drive	Funk triple pump drive (series 28000) with ratio 1.27:1
Rotation Head	AVD (Atelier Val D'Or inc.) type with chain drive head for hydraulic chuck (customer choice) ratio 12/24 on "H" size head, and 12/29 on "P" size head.
Transmission	Funk 4 speeds transmission (Ratio 1 st 6.63:1, 2 nd 3.17:1, 3 rd 1.72:1. 4 th 1:1)
Head Table	Hydraulic cylinder directly coupled to the Rotation Head table. The travel is 3m (10ft) or 3.3m (11ft). The pull down and pull up capacities are 8,016 kg (17,671 lbs) and 14,428 kg (31,808 lbs) both at a pressure of 4,500PSI.
Pull Cylinder	Hydraulic cylinder with 8,016 kg (17,671 lbs) of maximum pull at 4,500PSI.
Water Pump	Standard Bean 435 or Pratisoli KF40 (Customer's choice possible)
Rod clamp	Boyles style for "B" to "P" sizes.
Wireline winch	The capacity of the wireline winch is up to 2,000m (6,561ft) for 3/16in wireline rope, depending on the option chosen.
Hydraulic	Full flow 25 micron Beta rated return oil filtration. Water/Oil, air/oil hydraulically motorized (optional) and air/oil (optional, installed on the diesel engine) hydraulic coolers.
Hydraulic tank capacity	323 liters (85 US gal.)
Maximum pull capacity	22,444 kg (49 480 lbs) @ 4,500 PSI with feed and pull cylinder.



**Atelier
Val d'Or inc.**

1096 Rue de l'Écho
Parc Industriel
Val-d'Or (Québec) J9P 6X8

☎ 819-824-3676
☎ 819-824-2891
✉ ateliervd@ateliervd.qc.ca



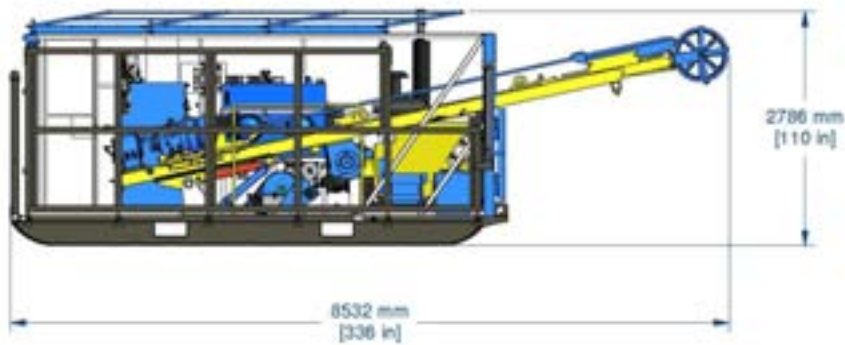
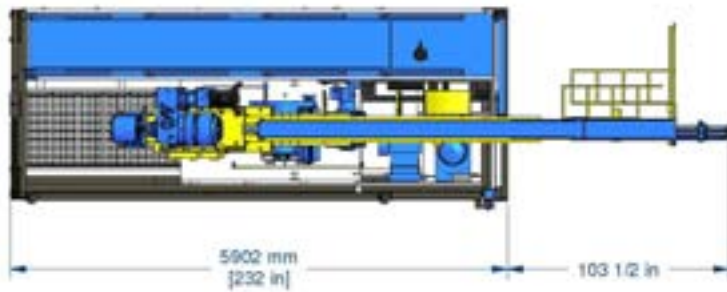
DRILL WORKING POSITION (mast 90° shown)



**Atelier
Val d'Or inc.**

1096 Rue de l'Écho
Parc Industriel
Val-d'Or (Québec) J9P 6X8

☎ 819-824-3676
☎ 819-824-2891
✉ ateliervd@ateliervd.qc.ca



DRILL TRANSPORT POSITION



**Atelier
Val d'Or inc.**

1096 Rue de l'Écho
Parc Industriel
Val-d'Or (Québec) J9P 6X8

☎ 819-824-3676
☎ 819-824-2891
✉ ateliervd@ateliervd.qc.ca