

TRACK MOUNTED DRILL RIG VD6000PC



**Atelier
Val d'Or inc.**

1096 Rue de l'Écho
Parc Industriel
Val-d'Or (Québec) J9P 6X8

☎ 819-824-3676
☎ 819-824-2891
✉ ateliervd@ateliervd.qc.ca

TECHNICAL SPECIFICATIONS

Type	Track-mounted, front driver console, rear operating platform, rod handler, all hydraulic chuck drive core drill, specially designed for diamond core drilling up to the rated specifications.
Track type	CATERPILLAR 320CL (500mm triple grouser track shoes)
Max. travel speed	3 mph (4.8 km/h)
Maximum slope	20%
Maximum cross fall	10%
Drill mast	Capacity to drill between 90° and 45°.
Diesel Engine	The power unit is a John Deere 250HP JD6081AF001 with a normal operating speed of up to 2,200 RPM (operating RPM can vary depending on pump configuration and option chosen).
Fuel tank capacity	255 liters (67 US gal.)
Pump drive	FUNK triple pump drive (series 28000) with ratio 1.27:1
Rotation Head	AVD (Atelier Val D'Or inc.) type with chain drive head for hydraulic chuck (customer choice) ratio 12/24 on "H" size head, and 12/29 on "P" size head. Max RPM: 1,350.
Transmission	FUNK 4-speed transmission (Ratio 1 st 6.63:1, 2 nd 3.17:1, 3 rd 1.72:1, 4 th 1:1)
Head Table	Hydraulic cylinder directly coupled to the rotation head table. The travel is 3m (10ft) or 3.3m (11ft). The pull down and pull up capacities are 13,526 kg (29,820 lbs) and 25,650 kg (56,548 lbs) both at a pressure of 4,500PSI.
Pull Cylinder	Hydraulic cylinder with 16,833 kg (37,110 lbs) of maximum pull at 4,500PSI.
Water Pump	Standard BEAN 435 or PRATISSOLI KF40 (as per customer choice)
Rod clamp	BOYLES style for "B" to "P" sizes.
Wireline winch	The capacity of the wireline winch is up to 3,500m (11,480ft) for 3/16 in wireline rope, depending on the option chosen.
Hydraulic	Full flow 25 micron BETA rated return oil filtration. Water/oil, air/oil hydraulically motorized (optional) and air/oil (optional, installed on the diesel engine) hydraulic coolers.
Hydraulic tank capacity	407 liters (1107 US gal.)
Maximum pull capacity	42,483 kg (93,658 lbs) @ 4,500 PSI with feed and pull cylinder.
Overall weight of drill	approx. 22,800 kg (50,000 lbs)

Rod Rack maximum stacking capacity

VD6000PC

Rod size	BQ (Ø2.19")*	NQ (Ø2.75")	HQ (Ø3.50")	PQ (Ø4.50")
Qty(9 meter sections)	299	234	154	99
Depth in:	meters 2,691	2,106	1,386	891
	feet 8,829	6,909	4,547	2,923

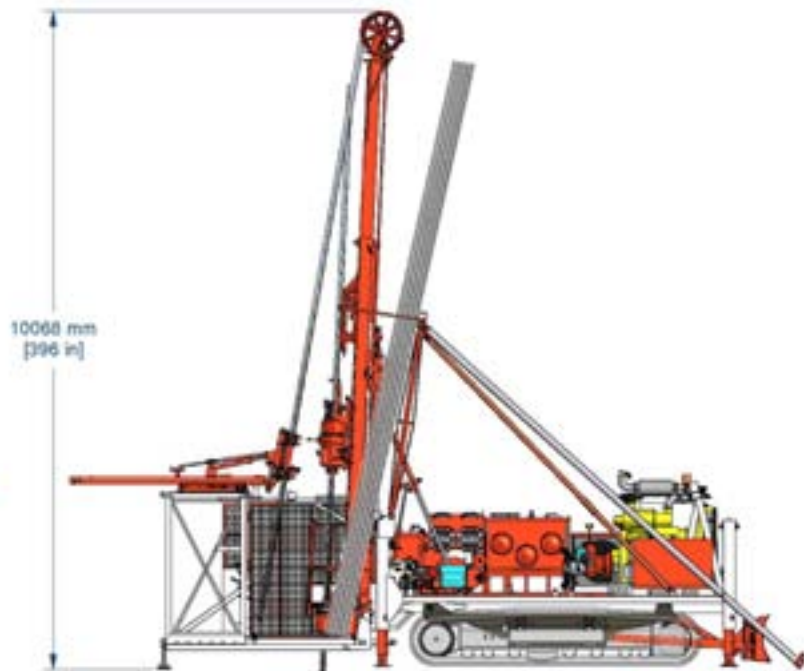
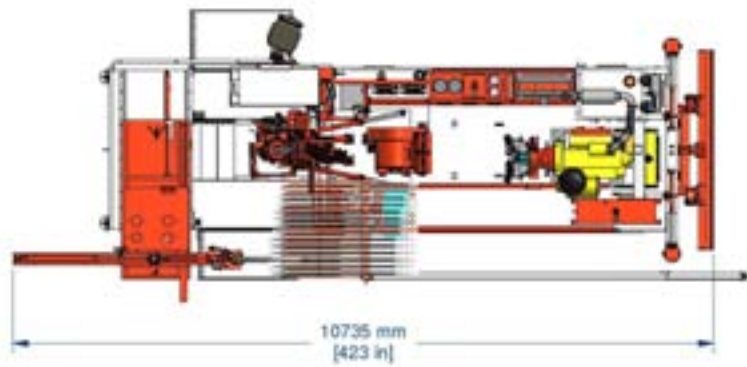
* : comb configured for NQ rod



Atelier
Val d'Or inc.

1096 Rue de l'Écho
Parc Industriel
Val-d'Or (Québec) J9P 6X8

☎ 819-824-3676
☎ 819-824-2891
✉ ateliervd@ateliervd.qc.ca



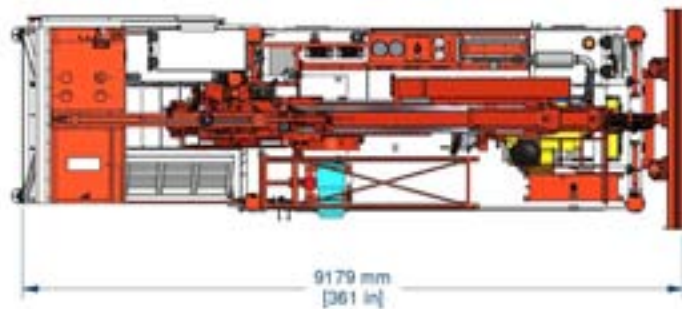
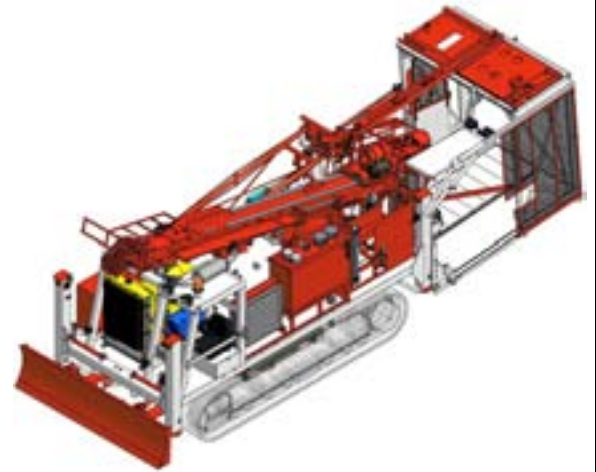
DRILL WORKING POSITION (mast 90° shown)



**Atelier
Val d'Or inc.**

1096 Rue de l'Écho
Parc Industriel
Val-d'Or (Québec) J9P 6X8

☎ 819-824-3676
☎ 819-824-2891
✉ ateliervd@ateliervd.qc.ca



DRILL TRANSPORT POSITION



**Atelier
Val d'Or inc.**

1096 Rue de l'Écho
Parc Industriel
Val-d'Or (Québec) J9P 6X8

☎ 819-824-3676
☎ 819-824-2891
✉ ateliervd@ateliervd.qc.ca