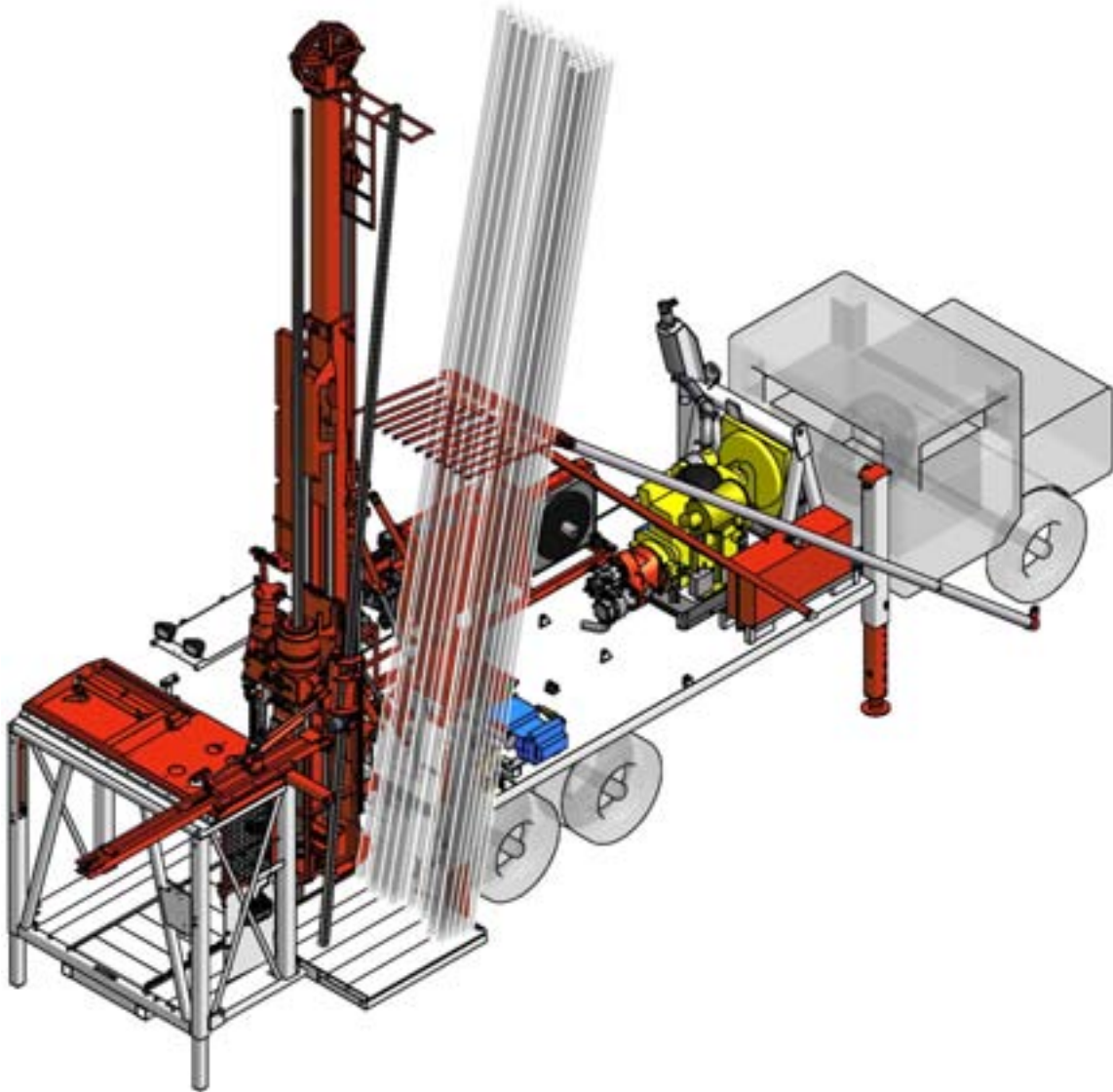


TRUCK MOUNTED DRILL RIG

VD6000PT



**Atelier
Val d'Or inc.**

1096 Rue de l'Écho
Parc Industriel
Val-d'Or (Québec) J9P 6X8

☎ 819-824-3676
☎ 819-824-2891
✉ ateliervd@ateliervd.qc.ca

TECHNICAL SPECIFICATIONS

Type	To be truck-mounted, rear operating platform, rod handler, all hydraulic chuck drive core drill, specially designed for diamond core drilling up to the rated specifications.
Drill mast	Capacity to drill between 90° and 45°.
Diesel Engine	The standard power unit used is a John Deere 250HP JD6081AF001 with a normal operating speed up to 2,200 RPM (operating RPM can vary depending on pump configuration/option). John Deere 275HP JD6090HF485 is available on request.
Fuel tank capacity	255 liter (67 US gal.)
Pump drive	Funk triple pump drive (series 28000) with ratio 1.27:1
Rotation Head	AVD (Atelier Val D'Or inc.) type with chain drive head for hydraulic chuck (customer choice) ratio 12/24 on "H" size head, and 12/29 on "P" size head.
Transmission	Funk 4 speed transmission (Ratio 1 st 6.63:1, 2 nd 3.17:1, 3 rd 1.72:1, 4 th 1:1)
Head	Hydraulic cylinder is directly coupled to the Rotation Head carriage. The travel is 3m (10ft) or 3.3m (11ft). The pull down and pull up capacities are 13,526 kg (29,820 lbs) and 25,650 kg (56,548 lbs) both at a pressure of 4,500PSI.
Pull Cylinder	Hydraulic cylinder with 16,833 kg (37,110 lbs) of maximum pull at 4 500PSI.
Water Pump	Standard Bean or Pratisoli (Customer's choice possible)
Rod clamp	Boyles style for "H" or "P" sizes.
Wireline winch	The capacity of the wireline hoist is up to 3,500m (11,480ft) for 3/16in wireline rope, depending on the option chosen.
Hydraulic	Full flow 25 micron Beta rated return oil filtration. Water/Oil, air/oil hydraulically motorized (optional) and air/oil (optional, installed on the diesel engine) hydraulic coolers.
Hydraulic tank capacity	407 liter (107 US gal.)
Maximum pull capacity	42,483 kg (93,658 lbs) @ 4,500 PSI with feed and pull cylinder.
Overall weight of drill	approx. 14,780 kg (32,500 lbs) (without truck)

Rod Rack maximum stacking capacity

VD6000PT

Rod size		BQ (Ø2.19")*	NQ (Ø2.75")	HQ (Ø3.50")	PQ (Ø4.50")
Qty(9 meters section)		299	234	154	99
Depth in:	meters	2,691	2,106	1,386	891
	feet	8,829	6,909	4,547	2,923

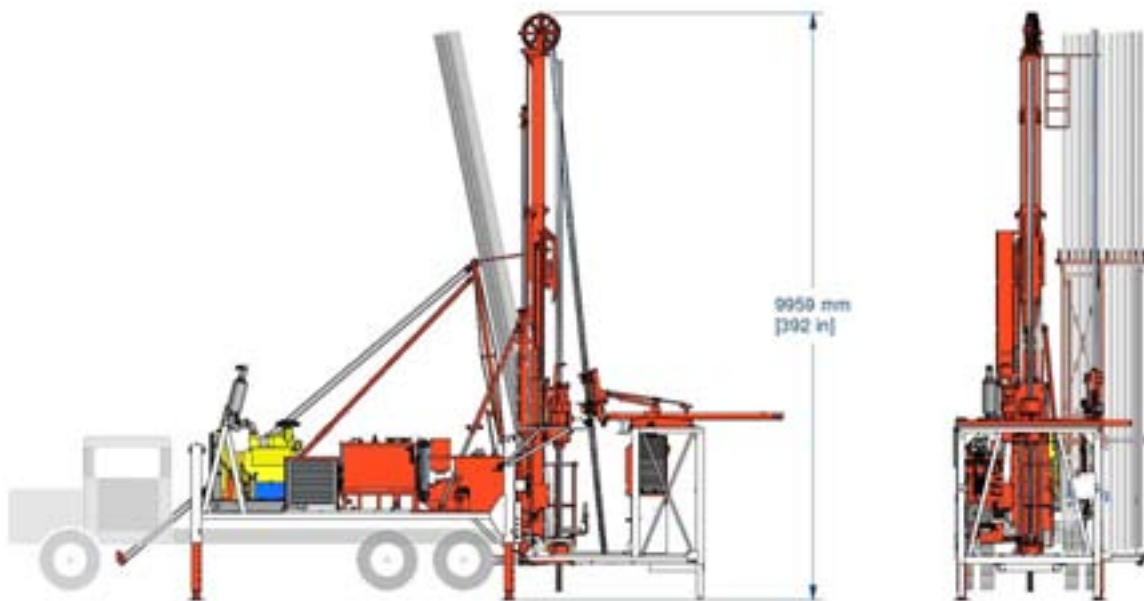
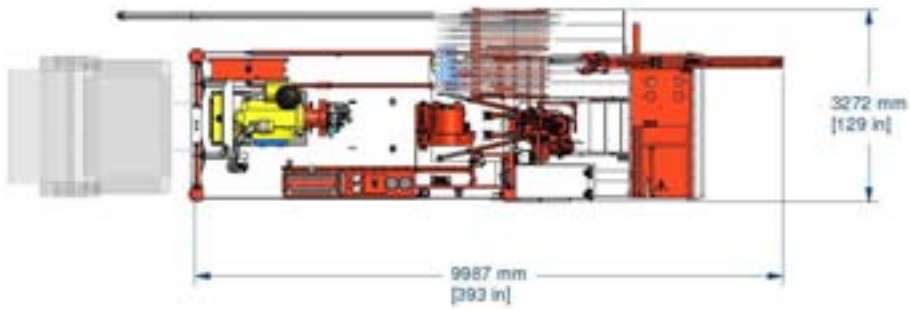
* : comb configured for NQ rod



Atelier
Val d'Or inc.

1096 Rue de l'Écho
Parc Industriel
Val-d'Or (Québec) J9P 6X8

☎ 819-824-3676
☎ 819-824-2891
✉ ateliervd@ateliervd.qc.ca



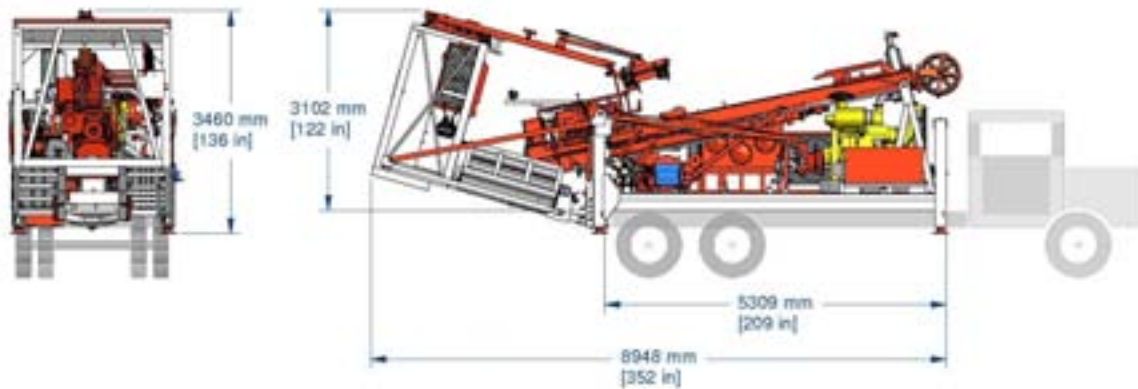
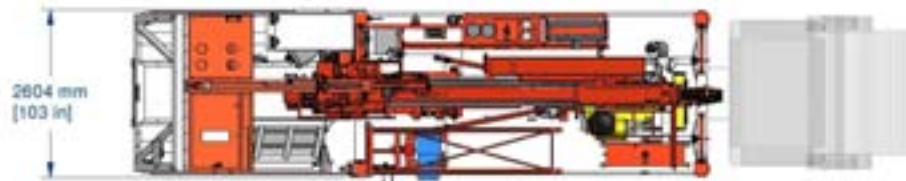
DRILL WORKING POSITION (mast 90° shown)



**Atelier
Val d'Or inc.**

1096 Rue de l'Écho
Parc Industriel
Val-d'Or (Québec) J9P 6X8

☎ 819-824-3676
☎ 819-824-2891
✉ ateliervd@ateliervd.qc.ca



DRILL TRANSPORT POSITION



**Atelier
Val d'Or inc.**

1096 Rue de l'Écho
Parc Industriel
Val-d'Or (Québec) J9P 6X8

☎ 819-824-3676
☎ 819-824-2891
✉ ateliervd@ateliervd.qc.ca